

# Ridglan Animal Care Systems

Plastisol Coated Steel Flooring since **1974**

## RACS

Ridglan Animal Care Systems understands that the health and well-being of your animals is a high priority. RACS floors keep animals warm, dry, and comfortable while allowing caregivers to easily maintain a clean area without disrupting the animals.

**RACS plastisol coated veterinary flooring is built to last!**

We take pride in our ability to manufacture flooring to customer needs, including strict adherence to tight tolerances. The plastisol (poly-vinyl) coated flooring is one-piece construction and coated in its entirety after welding. There is no exposed metal that will rust. The plastisol used in the manufacturing process includes an anti-microbial to reduce bacteria absorption. In addition, all RACS coated metal flooring is guaranteed to be autoclave safe.



### Our History

Ridglan Animal Care Systems, a division of ADA Enterprises, Inc., has been in the plastisol coated flooring business since 1974. ADA began working closely with Dr. Ralph McGrew in 2006. When Dr. McGrew decided to retire, it was a smooth transition to purchase Ridglan Animal Care Systems and continue with the excellent work that he began in veterinarian and research facility animal flooring. Along with a line of standard flooring, our knowledgeable and professional staff can help you design custom sized floors to meet your needs.



Plastisol Coated Perforated Steel



Plastisol Coated Expanded Metal



Plastisol Coated Laser Cut Steel

- *Cleaning the RACS coated steel flooring is simple and efficient.*
- *All RACS floors are autoclave safe.*
- *RACS plastisol coated veterinary floors relieve animal stress by staying dry and never feeling colder than room temperature.*

# RACS

**Ridglan Animal Care Systems**

PO Box 77  
305 Enterprize Drive  
Northwood, IA 50459

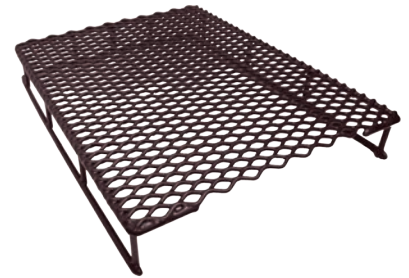
## The Best in Animal Comfort!

Call: 641-324-0060 • Toll Free: 800-338-3178 • Fax: 641-324-1092 • E-mail: [racs@racs.net](mailto:racs@racs.net) • Web: [www.racs.net](http://www.racs.net)

# Veterinary Cage Floors

Ridglan Animal Care Systems Cage RACS are widely used in veterinary hospitals and clinics. Standard sizes are available to fit manufactured cages such as Shore-line, Suburban Surgical, VSSI, Dirk, and Snyder. Most sizes are in stock now and can ship immediately. Custom sizes are available for lengths up to 10 feet in aluminum or steel prior to coating. Custom RACS for the fiberglass cages with tapered sides can also be ordered. Three styles are available; the coated steel Original RACS, the punched steel Comfort RACS, and the coated aluminum RAC-Lite.

**The Original Cage RACS**, now used by veterinarians for over 40 years, are designed to be lightweight, durable, and easy to clean. Papers and bedding can be used under the floor if desired and can be changed without disturbing the animal in the cage. The sled runner style legs are bent according to the size of the cage RAC. If used in larger cages, a center support is also welded to the platform. These RACS remain popular because of their lower cost. Another favorite feature is the good circulation of air when using a cage dryer after bathing. The Original Cage RAC has a glossy brown plastisol coating.



**Comfort RACS** are perforated steel with a glossy Hunter Green plastisol coating. The perforating process produces a flat, comfortable surface for the animal. At the same time it retains the advantage of the coating and offers an opening size large enough for easy pass through of fecal material.



**The Aluminum RAC-Lite** is 35% lighter than a coated steel floor of the same size. As with our original RACS, the floors for larger cages have an extra pair of legs in the center. They are popular due to their lesser weight and ease of handling. The aluminum floor is coated with glossy brown plastisol.



*Cage floors should not be used in runs or resting platforms for oversized animals.*

**Custom RACS can be ordered if our standard sizes won't fit properly in your cages.**

## Measure, Measure, Measure!

Standard and Custom Cage Floors:

When finding the size needed for your custom cage floors, measure left to right at the front, center, and back of the cage. Then take measurements from the rear to the front of the cage from the left side, center, and right side. This will make sure your cage floors fit properly.



**Left to Right:**  
Front, center, and back of cage.



**Back to Front:**  
Left, center, and right of cage.

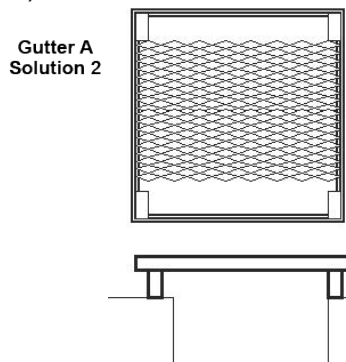
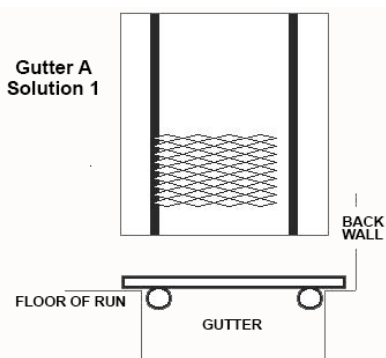
## RACS Gutter Covers

The best solution to reduce the probability of injury to animals depends on the nature of the gutter drain. Every run has its own answer, therefore no standard sizes are offered. RACS Gutter Covers are manufactured to customer specifications. Different styles and solutions are determined by your type of gutter.

**The plastisol coated metal RACS Floors promote optimal foot health.  
They are specifically designed for traction.**

**Gutter Type A** is used when the gutter is in back of the run with a ledge next to the wall for legs to rest on. There are two solutions for this style gutter.

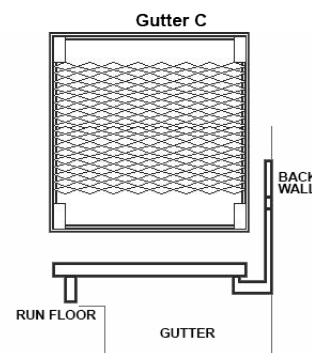
- **Solution #1** RACS flooring sits flush with floor. Rod spacers prevent shifting out of position.
- **Solution #2** RACS flooring legs leave space to easily rinse feces without having to lift up the flooring.



**Gutter Type B** If your gutter is made with a small ledge about an inch from the floor surface, the solution is simple. A piece of mesh is cut, without a frame or legs, to fit in the available opening flush with the floor. If the gutter is extra wide or takes unusually heavy traffic, the RACS floor can be made with a frame for support.



**Gutter Type C** is the most common situation. This is a gutter in the back of a run with the rear of the gutter simply a continuation of the back wall. Our solution is a resting bench-type RACS accompanied by two separate "J" hooks. The hooks have holes that allow bolting into the back wall. The bench cover, RACS, or gutter cover then rests its front legs on the run floor and the back is supported by the hooks. The gutter remains clear of anything that would prevent the free flow of matter to the drain.



## Poly Pet Heat Mats

Select and maintain the ideal heat mat surface temperature for your pets, small animals, and reptiles. The easy to clean Poly Pet Heat Mat has a large heated surface with beveled edges. Great for indoor and outdoor use. Made of high density, durable polyethylene with a coil encased cord, the Poly Pet Heat Mat comes with a state of the art controller that will maintain any preselected temperature between 40 and 105 degrees Fahrenheit.

There is no heat loss through the bottom surface; therefore it is very energy efficient. One unique safety mechanism is the "high limit" setting. This high limit temperature shut off self-activates at 105° F.

With the adjustable, heated surface of the Poly Pet Heat Mat, it is easy to provide the optimal climate for your pet, small animals, and reptile habitats.

Three sizes available: 18" x 18", 18" x 28", and 18" x 45".



## Tub RACS for Easy Bathing

Plastisol-coated expanded metal tub floor grates are manufactured by Ridglan Animal Care Systems. The expanded metal surface is resistant to bacterial and fungal growth. We offer two styles that can be custom sized to fit your existing tub.

**Bottom RACS** are elevated to keep animals off the dirt and suds that rinse off through the open mesh to the tub below. It is built to sit on the bottom of a tub with the mesh platform elevated 2-1/2 inches off the bottom by two runners. The runners are set in approximately 1-1/2 inches to avoid the curve of the tub. This style tub is able to hold dogs of any size. The two most common Tub Bottom RACS sizes are 18" x 36" and 21" x 36". The two sizes will work in most tubs available on the market, including human bathtubs.



*To determine the size needed, measure the width and length of the inside of the tub at 2 inches above the tub bottom. Custom made Tub Bottom RACS can be made to your size requirements.*

**Top RACS** are built to hang on the top edges of a tub from arms that suspend the platform about two inches below the edge. This is perfect for bathing smaller dogs and cats. This style Tub RAC has often been used for procedures involving anesthesia, such as clipping of severe hair mats and minor surgeries or dentals when more comfortable access to the patient is desired. Due to the many variations of tubs used, there are no standard sizes of the Tub Top RACS. They are manufactured to your size requirements.

*To determine the size Tub Top RAC needed, measure the width and length of the inside of your tub at two inches down from the tub top.*



## Dura Saver Floor Mats

*These mats will revolutionize your kennel, clinic or barn!*

Our new Dura Saver plastic floor mats are impermeable and fully capable of disinfection. Unlike traditional rubber mats that harbor bacteria and reintroduce disease, the high density plastic mats can be completely cleaned and disinfected using your current cleaners. The Dura Saver mat is easy to work with due to the rigid and lightweight material.

Dura Saver Floor Mats have a diamond pattern that allows for traction. They weigh only two pounds per square foot.

Available in a stock size of 4' x 8', but can be custom ordered in sizes up to 8' x 12'.



### Proven Beneficial!

*The Dura Saver Stall Mats here at ISU Vet Hospital has proven to be more beneficial than traditional rubber mats here at the vet hospital. Some of the reasons being, they are easier to move because they are rigid (they can be stood up against the stall wall for cleaning) The biggest selling point for the vet hospital is that, because of their material that it can be completely disinfected and cannot harbor bacteria.*

-Verlin Potts, ISU Barn Manager, Equine Vet Hospital

## RACS Industrial Run Floors

RACS complete Industrial Run Floors provide a wall to wall resting area which is clean, warm, and dry. These Run Floors are designed with clean lines in a one-piece construction that is coated in its entirety after welding.

The best method is to cover the whole run with one or more RACS specifically designed to fit your runs. A good way to reduce the flooring weight is to use multiple RACS flooring sections per run. This allows for easier cleaning because of lighter floors. It is not necessary to remove the patient in order to flush down the run floor - A benefit that will save your facility time in sanitation procedures. The mesh allows most of the fecal matter to fall through onto the floor below. RACS Run Floors have great strength to weight ratio and are strong enough to hold two technicians and the animal they are attending.

Run Floors can be made to fit any commercial or custom made run. Given the requirements of your facility, a custom run floor can be designed to fit your objectives as well as your budget. With new construction, supports such as pegs, angle iron, or hooks can be provided on the run walls to eliminate the need for legs. Custom RACS Run Floors with built-in legs can be made to a total height of 6-1/2 inches from the floor to the top of the mesh. It is important to take into consideration the posts and any other obstructions in the cage when ordering your run floors.

Ridglan Animal Care Systems can also provide you with a total flooring system on top of which you can set your chain link fencing dividers. These industrial run floors have bolted on legs so they can be raised to any height.



**Contact Us Today** to get started with your new custom flooring and cage project! Our knowledgeable staff can help design the system that will suit the needs of your animals.

## RACS Floors Stay Warm and Dry!

### RACS Industrial Cage Floors

University and commercial research facilities have traditionally used different types of caging than veterinarians. There are many large industrial runs using chain link fencing for walls. These require larger and heavier duty cage flooring than their smaller veterinary counterparts. Individual cages are often of a type that have a channel for the Cage RAC to slide into. Our standard veterinary RACS with legs will not work in such cages. In both situations, Ridglan Animal Care Systems can custom design and manufacture the appropriate Industrial Cage RAC.



We have been custom manufacturing industrial cage flooring systems since 1974 and pride ourselves on our ability to modify our designs to suit customers' applications.

# RACS Custom Floor Design

RACS coated aluminum and steel cage floors are designed to hold the weight of the animals that will fit in the appropriate size cage. If you anticipate caregivers will be on the floors, please mention that when talking to our salesperson.

## What we need to know...

- What type of animals will be on the floor?
- What is the approximate weight of the animals?
- Will caregivers be walking on the floors?



We are available at Ridglan Animal Care Systems, Monday through Friday from 8:00 a.m. until 4:30 p.m. Central time to answer any questions you may have. We are happy to discuss your facility needs and provide a price quote. To expedite the process, please have available the width and depth of the area you wish to cover and mention any obstructions to the area. We will ask you what type of animals will be using the RACS, if people will be walking on the floors, and how the RACS flooring will be used in your facility.

## Measure, Measure, Measure!

**Custom Runs Covers and Industrial Cage Floors:** There are no standard sizes, so when measuring be sure to mention posts and other obstructions that would change the flooring measurements.



### RACS - The Original and the Best!

- Simple & efficient cleaning
- RACS plastisol coated metal flooring was reviewed and is approved by the Missouri Department of Agriculture as a dog flooring
- Custom built in aluminum or steel up to 10 feet prior to coating
  - Autoclave and cage wash safe.

### From a Happy Customer

*Ridglan Animal Care Systems (RACS) Flooring is truly beneficial to any animal care facility. Not only is the company easy to work with and willing to modify their items for you, but the animals respond so well to the material. No more slipping and sliding from older dogs who are nervous to be walking on anything other than carpeting. The grates are easy to clean, durable, and not hard on the pets feet. The fact that everything is also removable is an added bonus. I can remove them from my kennels and clean them easily. The plastic and the coated metal last for years. There is no reason to worry about porous surfaces growing bacteria. These types of grates are hard to find and there are no other grates like them. I am so glad to have found RACS Floors.*

-Jessica Moore, NCMG



305 Enterprize Drive, PO Box 77, Northwood, Iowa 50459

